



The power behind competitiveness

Delta M88H

Grid-tied, 3-phase and transformerless PV Inverter



Product Features

- 2 stages inverter with wide input operation range from 200 to 1000 Vdc
- Wall mounted installation
- 2 MPP trackers
- Excellent performance, max. efficiency 98.8%
- 18 strings with fuses protection
- Ergonomics handle design
- Outdoor application with IP65
- Built-in DC switch
- Built-in AC & DC SPDs
- String monitoring

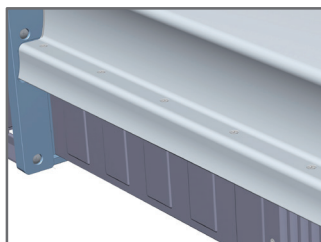


Delta M88H

IP65



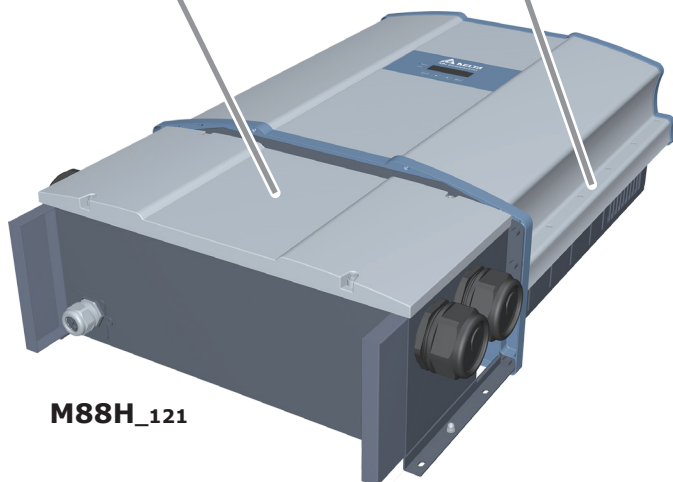
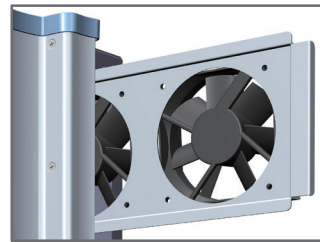
Ergonomic Grip Design



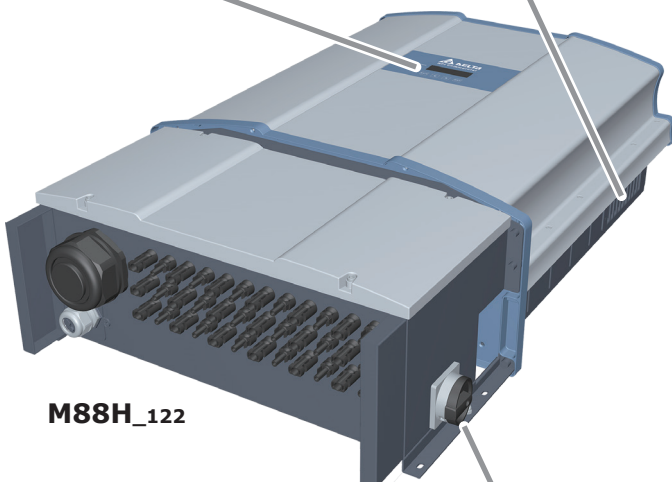
Digital Display

8 Jun. 2015 13:50
On Grid
70.00 kW
216 kWh

Swappable Fan Kit

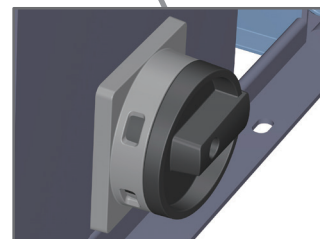
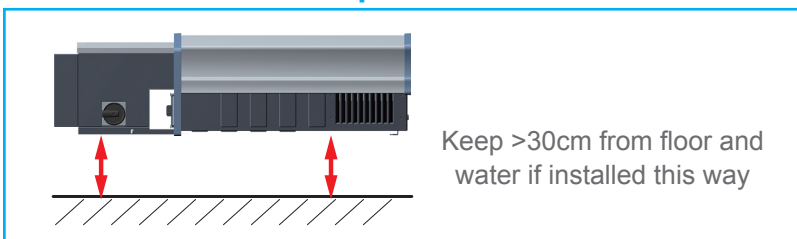


M88H_121



M88H_122

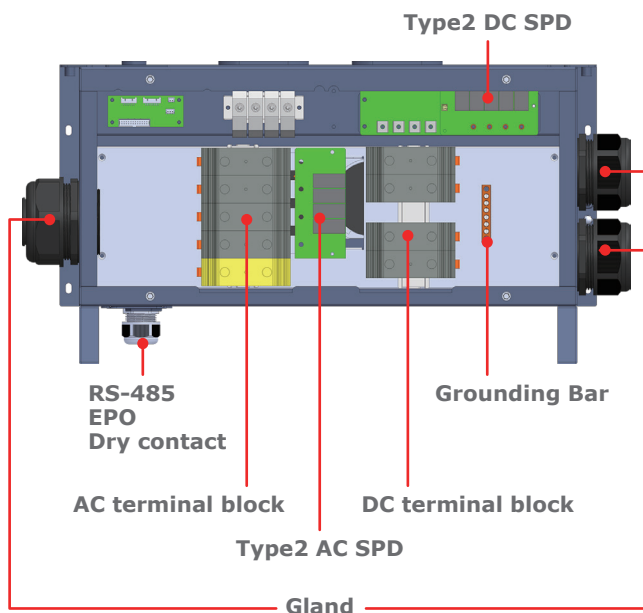
Landscape installation



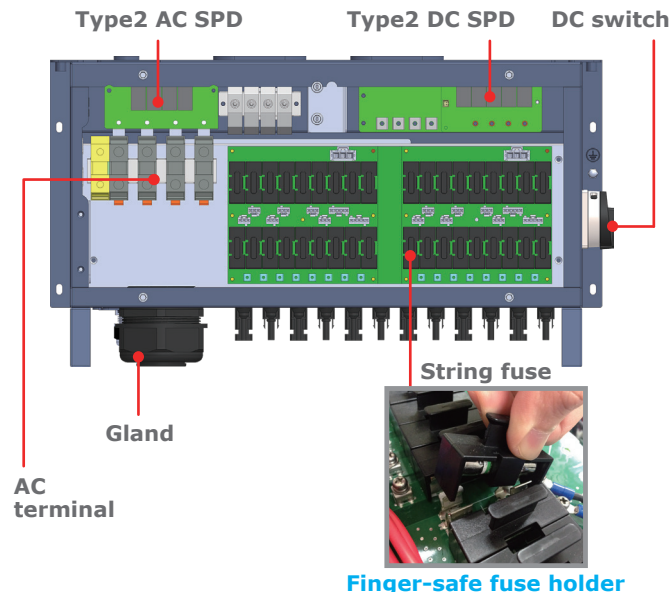
DC Switch

Wiring Box Configurations

● M88H_121 (screw terminal)



● M88H_122 (connectors&fuses)



Outstanding performance

M88H have excellent efficiency performance, peak 98.8% and Euro 98.5%.



Benefits with M88H

Multi-application:

Design for commercial & utility applications.

All-in-one Design:

String fuses, surge protection devices, DC switches are all integrated in.

Saving on Space Cost:

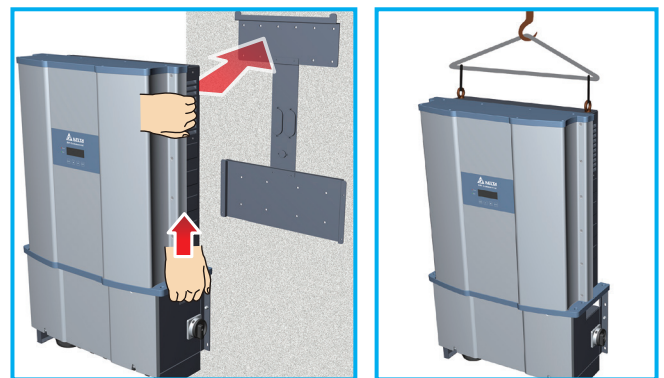
Can be mounted on the foothold of the PV panels, no house or container is required for inverter installation.

2 MPP Trackers:

2 MPP trackers provide more flexibility for PV arrays configuration and bumpy ground area to maximize yield.

Easy Installation:

Ergonomic grip design provides easy installation or removal by the installer. For additional flexibility, eye bolts are provided to allow for lifting using crane.



String monitoring function:

The string monitoring function can precisely record real-time current value up to 18 strings via RS-485 interface.

IDC1 (A)	IDC1 (A)	IDC2 (A)	IDC2 (A)
1: 1.6	7: 1.6	1: 1.4	7: 1.0
2: 1.6	8: 1.6	2: 1.6	8: 1.6
3: 1.6	9: 1.6	3: 1.5	9: 1.6
4: 1.6		4: 1.6	
5: 1.7		5: 1.6	
6: 1.7		6: 1.6	

Delta Commercial Series

Model	M88H_121	M88H_122	
DC Input			
Recommended PV power	Vac400V : 90kW / Vac480V : 110kW		
Max. input voltage	1100V		
Operating voltage range	200-1000V		
Start voltage	>250V		
MPP voltage, rated power	Vac400V : 500 - 800V / Vac480V : 600 - 800V		
Rated voltage	Vac400V : 595V / Vac480V : 710V		
MPP tracker	2		
Max. input current / Each MPPT	140 / 70A		
Connection type	2-250kcmil terminal block for 2 MPPTs	18 pairs of MC4 connector	
Type II SPD	●	●	
15A string fuses	—	●	
DC Switch	—	●	
String monitoring	—	●	
AC Output			
Max. output power	Vac400: 73kW / Vac480: 88kW		
Rated output power	Vac400: 66kW / Vac480: 80kW		
Max. output current	106A		
Rated output current	96A		
Rated voltage	3 Ph 400V & 480V Δ / Y		
Operating voltage range	Vac400V : ±30% / Vac480V : ±20%		
Operating frequency range	50/60Hz ±5Hz		
Power factor	1 at rated power, 0.8 ind ~ 0.8 cap adjustable		
Protection	Type 2 SPD		
THD	<3%		
Connection type	50 ~120 mm ²	35 ~95 mm ²	
Night time consumption	<3W		
Efficiency			
Peak efficiency	98.8%		
Euro efficiency	98.5%		
Information			
Communication port	RS-485		
Display	20 x 4 LCD		
Regulation			
	VDE-AR-N 4105	NB/T 32004: 2013	UTE C15-712
	VDE0126-1-1	GB/T 19964: LVRT	UK G59/3
	BDEW	IEC 62109-1/-2	CE compliance
	EN 61000-6-1	EN 61000-6-2	EN 61000-6-3
	EN 61000-6-4		
General Data			
Operating temp. range	-25~60°C (Max power: -25~35°C)		
Protection level	IP65		
Operating elevation	<3000m		
Cooling	Forced air cooling plus Smart Fan control		
Dimension (W x H x D, mm)	615 x 962 x 275		
Weight (kg)	84		

- All specifications are subject to change without prior notice.

DELTA ELECTRONICS, INC.

39 Section 2 Huandong Road,
Shanhua Township,
Tainan County 74144, Taiwan, R.O.C.
TEL 886-6-5056565
FAX 886-6-5051919
<http://www.deltaww.com>

